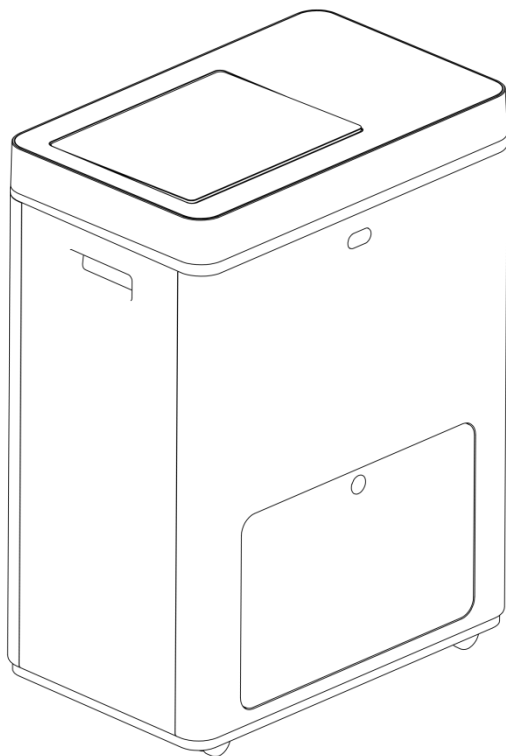


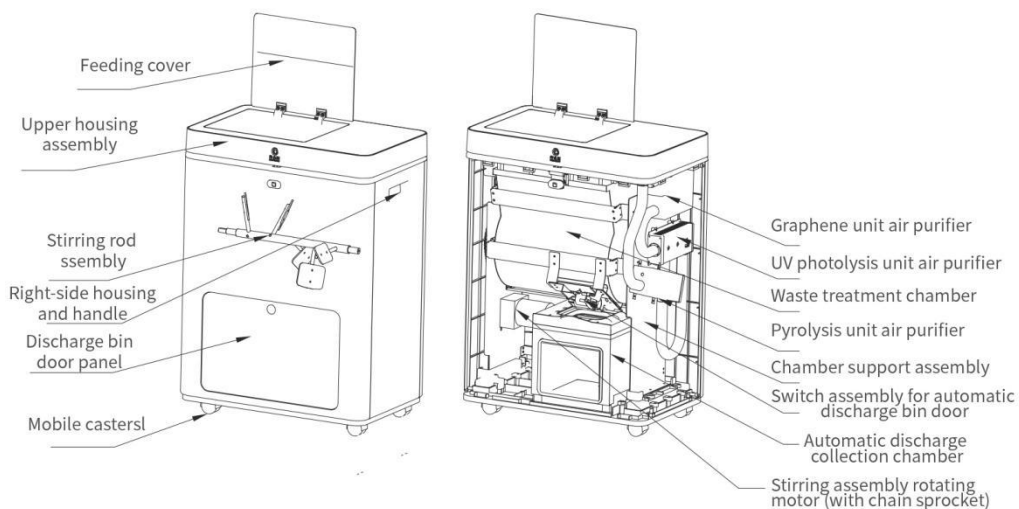
BEECO



KITCHEN COMPOSTER

QUICK USER MANUAL

THE COMPOSTER AND ITS COMPONENTS



BUTTONS



Open



Operate



Entertainment



Pack



Child Lock

THE OPEN BUTTON

Touch the "Open" button to open the feeding cover, and touch the "Open" button again to close the feeding cover, after which the composter will run automatically.

THE OPERATE BUTTON

When you touch the Operate button, the composter will switch between Breakdown Mode and the Sleep Mode. When the button is touched, the composter will voice the current mode it is in.

The Entertainment button (this button can be ignored as it does not serve any function)

THE PACK BUTTON

Touch the Pack button to pack the decomposed fertilizer. You will hear a voice prompt when the fertilizer has been packed.

THE CHILD LOCK BUTTON

Press the Child Lock button for up to 5 seconds, until you hear the voice prompt "The Child Lock is turned on", then press the Child Lock button again for 5 seconds, until you hear the voice prompt "The Child Lock is turned off". If the composter is in Child Lock mode prior to a power interruption, the Child Lock will revert to the Child Lock Off mode once power is restored.

DIRECTIONS FOR USE

CULTURING THE MICROBIAL STARTERS

Turn on the power, and once the composter has booted up (about 30 seconds), touch the Open button (or move your hand over the infrared sensing area) to open the feeding cover. Place 1.5kg of Microbial starters into the waste treatment chamber and add 500ml of water, then touch the Open button again to close the feeding cover. The composter will start to run automatically and culture the Microbial starters.

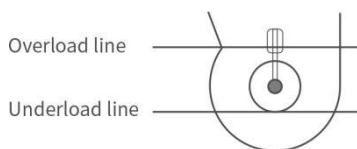
FEEDING IN THE FOOD WASTE

About half an hour after the Microbial starters and water have been fed in, the cultivation of the Microbial starters will complete, and the composter can be used normally. After this, you can open the feeding cover to feed in food waste at any time. The amount of food waste input should not exceed 2.5kg a day.

READY-TO-USE ORGANIC FERTILIZER

The treatment of the food waste will be complete eight hours after it is been fed in. At that time, the composter will go into the Sleep mode. Touch the Pack button to pack the organic fertilizer. Packing the fertilizer once every two weeks is recommended.

Recommended values of by-products:



ADDING MORE MICROBIAL STARTERS

The first time the composter is used, you need to start with 1.5kg of Microbial starters at one time. Thereafter you need to replace the biological starters every six months, to ensure effective waste decomposition.

Tel: +1 484-601-2807

3400 Cottage Way, Suite G2 #6327 Sacramento, California 95825 USA

Website: <https://www.beecolab.com/>